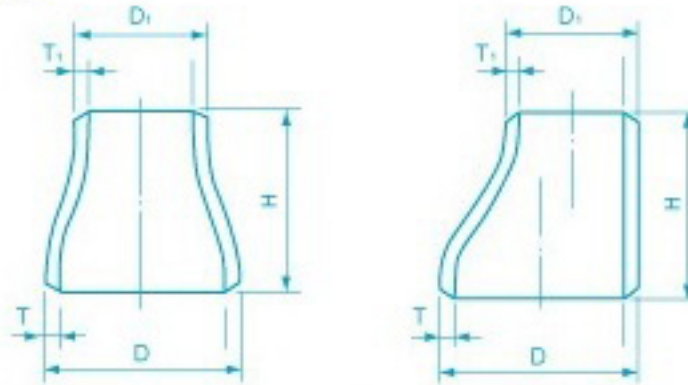


# ASME B16.9

## DIMENSIONS OF CONCENTRIC AND ECCENTRIC REDUCERS

[www.pantechsteel.com](http://www.pantechsteel.com)



Nominal Pipe Size (NPS)	Outside Diameter at Bevel		End-to-End	Nominal Pipe Size (NPS)	Outside Diameter at Bevel		End-to-End
	D	D <sub>1</sub>			D	D <sub>1</sub>	
3/4 X 1/2	26.7	21.3	38.1	10 X 8	273.1	219.1	177.8
1 X 3/4	33.4	26.7	50.8	X 8	168.3		
X 1/2		21.3		X 5	141.3		
1-1/4 X 1	42.2	33.4	50.8	X 4	114.3		
X 3/4		26.7		12 X 10	323.9	273.1	203.2
X 1/2		21.3		X 8	219.1		
1-1/2 X 1-1/4	48.3	42.2	63.5	X 6	168.3		
X 1		33.4		X 5	141.3		
X 3/4		26.7		X 4	114.3		
X 1/2		21.3		14 X 12	355.6	323.9	330.2
2 X 1-1/2	60.3	48.3	76.2	X 10	273.1		
X 1-1/4		42.2		X 8	219.1		
X 1		33.4		X 6	168.3		
X 3/4		26.7		16 X 14	406.4	355.6	355.6
2-1/2 X 2	73.0	60.3	88.9	X 12	323.9		
X 1-1/2		48.3		X 10	273.1		
X 1-1/4		42.2		X 8	219.1		
X 1		33.4		X 6	168.3		
3 X 2-1/2	88.9	73.0	88.9	18 X 16	457.2	406.4	381.0
X 2		60.3		X 14	355.6		
X 1-1/2		48.3		X 12	323.9		
X 1-1/4		42.2		X 10	273.1		
X 1		33.4		X 8	219.1		
4 X 3-1/2	114.3	101.6	101.6	X 6	168.3		
X 3		88.9		20 X 18	508.0	457.2	508.0
X 2-1/2		73.0		X 16	406.4		
X 2		60.3		X 14	355.6		
X 1-1/2		48.3		X 12	323.9		
X 1-1/4		42.2		X 10	273.1		
X 1		33.4		X 8	219.1		
5 X 4	141.3	114.3	127.0	22 X 20	558.8	508.0	508.0
X 3-1/2		101.6		X 18	457.2		
X 3		88.9		X 16	406.4		
X 2-1/2		73.0		X 14	355.6		
X 2		60.3		X 12	323.9		
6 X 5	168.3	141.3	139.7	X 10	273.1		
X 4		114.3		24 X 22	609.6	558.8	508.0
X 3-1/2		101.6		X 20	508.0		
X 3		88.9		X 18	457.2		
X 2-1/2		73.0		X 16	406.4		
X 2		60.3		X 14	355.6		
8 X 6	219.1	168.3	152.4	X 12	323.9		
X 5		141.3		X 10	273.1		
X 4		114.3					
X 3-1/2		101.6					
X 3		88.9					

### GENERAL NOTES:

All dimensions are in millimeters.