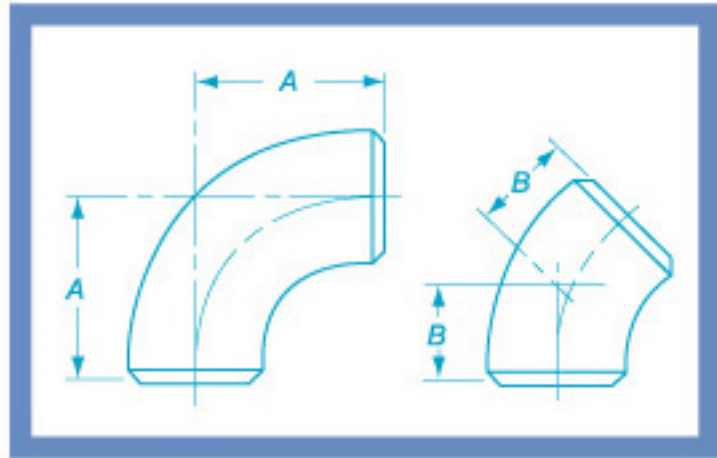


ASME B16.9

DIMENSIONS OF ELBOWS



Nominal Pipe Size (NPS)	DN	Outside Diameter at Bevel	Center-to-End		
			90 Deg LR Elbows, A	45 Deg LR Elbows, B	90 Deg SR Elbows, A
1/2	15	21.3	38	16	
3/4	20	26.7	38	19	
1	25	33.4	38	22	25
1 1/4	32	42.2	48	25	32
1 1/2	40	48.3	57	29	38
2	50	60.3	76	35	51
2 1/2	65	73.0	95	44	64
3	80	88.9	114	51	76
4	100	114.3	152	64	102
5	125	141.3	190	79	127
6	150	168.3	229	95	152
8	200	219.1	305	127	203
10	250	273.0	381	159	254
12	300	323.9	457	190	305
14	350	355.6	533	222	356
16	400	406.4	610	254	406
18	450	457.2	686	286	457
20	500	508.0	762	318	508
22	550	559.0	838	343	559
24	600	610.0	914	381	610

GENERAL NOTES:

All dimensions are in millimeters.