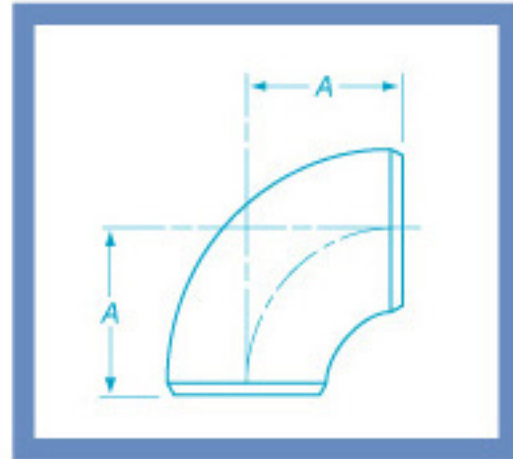


ASME B16.9

90° SHORT RADIUS ELBOWS

www.pantechsteel.com



Nominal Pipe Size (NPS)	Outside Diameter at Bevel	SCH STD		SCH XS		SCH XXS		SCH 120		SCH 160	
		wall thk.	weight kg.	wall thk.	weight kg.	wall thk.	weight kg.	wall thk.	weight kg.	wall thk.	weight kg.
1	33.4	3.38	0.11	4.55	0.14	9.09	0.22			6.35	0.17
1 1/4	42.2	3.56	0.18	4.85	0.24	9.70	0.43			6.35	0.31
1 1/2	48.3	3.68	0.25	5.08	0.34	10.16	0.57			7.14	0.43
2	60.3	3.91	0.44	5.54	0.62	11.07	1.13			8.74	0.92
2 1/2	73.0	5.16	0.91	7.01	1.19	14.02	2.19			9.53	1.49
3	88.9	5.49	1.38	7.62	1.85	15.24	3.49			11.13	2.60
4	114.3	6.02	2.60	8.56	3.60	17.12	6.79	11.13	4.50	13.49	5.35
5	141.3	6.55	4.40	9.53	6.20	19.05	13.53	12.70	9.10	15.88	11.40
6	168.3	7.11	6.85	10.97	10.30	21.95	21.33	14.27	14.60	18.26	18.20
8	219.1	8.18	13.70	12.70	20.60	22.22	39.50	18.26	33.50	23.01	40.57
10	273.1	9.27	24.50	12.70	32.80	25.40	75.60	21.44	64.80	28.58	83.95
12	323.9	9.53	36.00	12.70	47.00	25.40	89.50	25.40	87.60	33.32	114.00
14	355.6	9.53	46.20	12.70	61.20			27.79	130.00	35.71	162.00
16	406.4	9.53	61.00	12.70	80.10			30.96	190.30	40.49	242.50
18	457.0	9.53	77.50	12.70	102.00			34.93	272.50	45.24	344.50
20	508.0	9.53	96.00	12.70	126.30			38.10	368.00	50.01	476.00
22	559.0	9.53	117.50	12.70	154.00			41.28	485.00	53.98	625.00
24	610.0	9.53	138.50	12.70	183.50			46.02	641.50	59.54	833.00

GENERAL NOTES:

All dimensions and wall thickness are in millimeters.