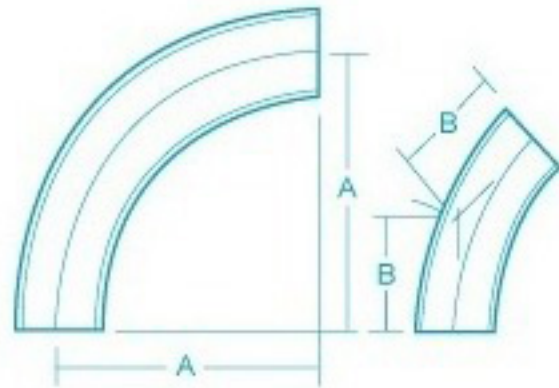
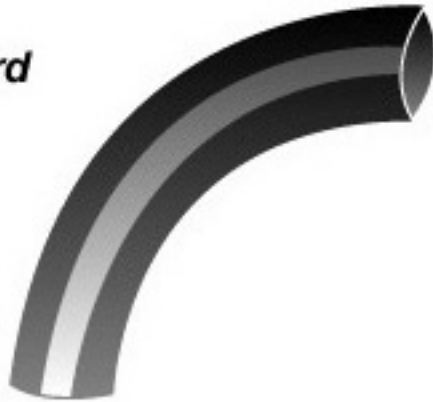


# 90° AND 45° 3R ELBOWS

[www.pantechsteel.com](http://www.pantechsteel.com)

**Standard  
and  
Extra  
Strong  
Weight**



Normal Pipe Size (NPS)	Nominal Wall Thickness		90° 3R ELBOWS Approx. Weight, KG			45° 3R ELBOWS Approx. Weight, KG		
	Standard Wall	Extra Strong Wall	Centre To Face A	Standard Wall	Extra Strong Wall	Centre To Face B	Standard Wall	Extra Strong Wall
2	3.91	5.54	152.4	1.36	1.82	63.5	0.68	0.91
3	5.49	7.62	228.6	4.18	5.64	95.3	2.09	2.77
4	6.02	8.56	304.8	7.95	10.95	127.0	3.95	5.41
6	7.11	10.97	457.2	21.82	29.09	190.5	10.91	15.45
8	8.18	12.70	609.6	41.82	63.64	254.0	20.91	31.36
10	9.27	12.70	762.0	74.55	100.45	317.5	37.05	49.55
12	9.53	12.70	914.4	109.56	144.09	381.0	54.09	71.36
14	9.53	12.70	1066.8	140.45	185.00	444.5	70.00	91.82
16	9.53	12.70	1219.2	184.09	242.73	504.8	91.36	120.45
18	9.53	12.70	1371.6	233.64	308.64	568.3	116.36	153.64
20	9.53	12.70	1524.0	289.55	382.27	631.8	144.09	190.45
22	9.53	12.70	1676.4	350.45	463.64	693.7	175.00	230.91
24	9.53	12.70	1828.8	418.18	554.55	757.2	208.18	275.45
26	9.53	12.70	1981.2	491.36	650.00	820.7	245.00	324.09
30	9.53	12.70	2286.0	655.00	868.18	946.2	327.27	433.18
34	9.53	12.70	2590.8	842.73	1120.00	1073.2	420.91	559.09
36	9.53	12.70	2743.2	946.36	1256.36	1135.1	472.73	627.27
42	9.53	12.70	3200.4	1288.64	1712.73	1325.6	643.64	855.91

**GENERAL NOTES:**

*All dimensions and wall thickness are in millimeters.*